

MULTI-ZONE HOT WATER UNIT

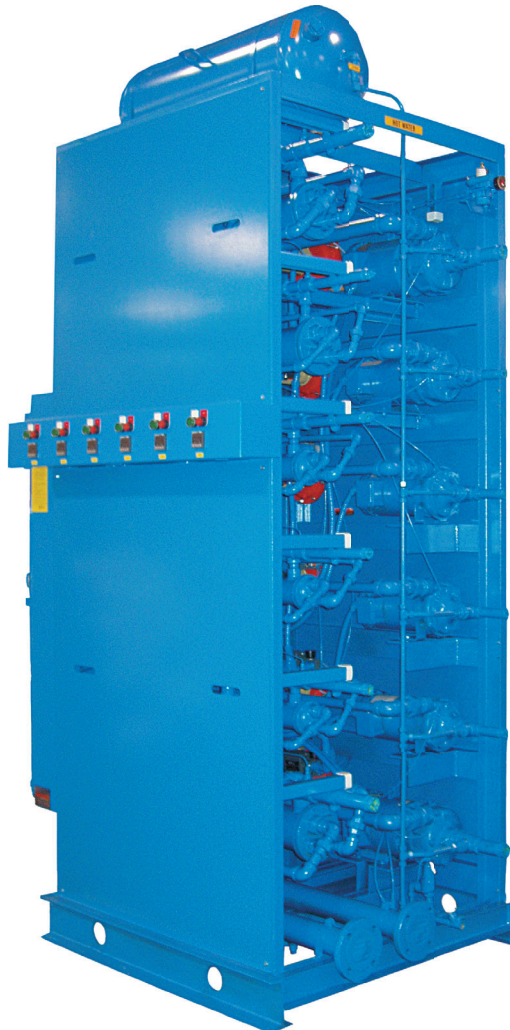
BUDZAR INDUSTRIES MULTI-ZONE HOT WATER UNIT provides up to six (6) independent zones of temperature control, each with its own controls, pumps, heaters, and cooling modes.

Low-Cost, Simple Operation and Maintenance

- Solid-state, microprocessor-based controls provide reliable accurate operation
- Heavy-duty angle iron framework
- Sheet metal safety skins design for easy and safe removal
- Easy-to-access components allow quick servicing
- “At-a-glance” indicator lights display important operating conditions
- Available closed-loop system minimizes injection of raw water with its contaminants into the circulating loop
- System and operator are protected by low pressure safety switch and relief valve
- All electrical components are housed in a NEMA 12 enclosure with through the door disconnect for safe operation

The Multi-Zone Hot Water System is available in both direct-injection or closed loop operation. This series is designed for industrial processes requiring fluid temperatures up to 250°F.

Budzar Industries also designs and manufactures specialized equipment for non-standard applications. Our engineers have extensive experience in process chilling and heating applications for such industries as: chemical, defense, energy, extraction, food, medical, pharmaceutical, plastics, rubber, tire and, semiconductor. We take the time to understand your current and future needs and design solutions targeting high quality and fast payback.



EXCELLENT RETURN ON INVESTMENT

- Each Budzar Industries unit is designed to maximize the productivity of your process. Budzar Industries quality and reliability provide excellent value for each dollar invested
- Reliable temperature control improves process consistency, reduces scrap, speeds start-up and increases production rates

QUICK AND EASY INSTALLATION

- Single point connections for all utilities
- Minimal floor space design makes placement easy
- All units are factory tested prior to shipment

STANDARD FEATURES INCLUDE

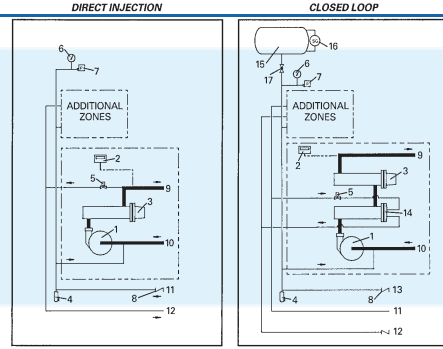
- Close coupled centrifugal pump
- Fill water pressure switch
- Solenoid steam valve
- NEMA 12 electrical enclosure

OPTIONS AVAILABLE

- ASME expansion tank with sight glass
- 4.5 kw to 33kw
- Modulating control valve
- Inlet strainers
- Isolation valves
- Flow meter with visual readout and switch
- 230/3/60; 208/3/60; 575/3/60; 380/3/50; 415/3/50; 460/3/60
- NEMA 4



Model 4WT-930-C complete with expansion tank. NEMA 12 enclosure with disconnect switch is standard.



- | | | | |
|----------------------------|--------------------------|----------------------------|---------------------------------|
| 1. Pump and Motor Assembly | 7. Pressure Switch | 1. Pump and Motor Assembly | 9. To Process |
| 2. Temperature Controller | 8. Check Valve | 2. Temperature Controller | 10. From Process |
| 3. Electric Heater | 9. To Process | 3. Electric Heater | 11. Cooling Water Supply |
| 4. Relief Valve | 10. From Process | 4. Relief Valve | 12. Cooling Water Drain |
| 5. Cooling Valve | 11. Cooling Water Supply | 5. Cooling Valve | 13. System Fill |
| 6. Pressure Gauge | 12. Cooling Water Drain | 6. Pressure Gauge | 14. Cooler |
| | | 7. Pressure Switch | 15. Expansion Tank (Opt.) |
| | | 8. Check Valve | 16. Sight Glass (Opt.) |
| | | | 17. Tank Isolation Valve (Opt.) |

Model	Heating (kW)	Flow (GPM) @ 30 PSI	HP	FLA @ 460V Elec/Steam		Cooling Sq. Ft.	Approximate Dimensions L x W x H (inches)	Shipping Weight (lbs)
1WT-415-CV	4.5	15.0	1	7.8	2.2	3.7	36 x 20 x 48	300
1WT-930-CV	9	30.0	1.5	14.3	3.1	8.1	36 x 20 x 48	325
1WT-950-CV	9	50.0	2	14.7	3.5	15.0	36 x 20 x 48	350
2WT-415-CV	4.5	15.0	1	15.7	4.4	3.7	36 x 23 x 48	600
2WT-930-CV	9	30.0	1.5	28.8	6.2	8.1	36 x 23 x 48	625
2WT-950-CV	9	50.0	2	29.6	7.0	15.0	36 x 23 x 48	650
3WT-415-CV	4.5	15.0	1	23.5	6.5	3.7	36 x 23 x 48	950
3WT-930-CV	9	30.0	1.5	14.3	3.1	8.1	36 x 23 x 48	975
3WT-950-CV	9	50.0	2	14.7	3.5	15.0	36 x 23 x 48	1,000
4WT-415-CV	4.5	15.0	1	31.2	8.6	3.7	36 x 23 x 72	1,150
4WT-930-CV	9	30.0	1.5	57.4	12.2	8.1	36 x 23 x 72	1,175
4WT-950-CV	9	50.0	2	59.0	13.8	15.0	36 x 23 x 72	1,200
5WT-415-CV	4.5	15.0	1	39.0	10.7	3.7	36 x 23 x 72	1,150
5WT-930-CV	9	30.0	1.5	71.7	15.2	8.1	36 x 23 x 72	1,175
5WT-950-CV	9	50.0	2	73.7	17.2	15.0	36 x 23 x 72	1,200
6WT-415-CV	4.5	15.0	1	48.7	12.8	3.7	36 x 23 x 84	1,150
6WT-930-CV	9	30.0	1.5	86.0	18.2	8.1	36 x 23 x 84	1,175
6WT-950-CV	9	50.0	2	88.4	20.6	15.0	36 x 23 x 84	1,200

UNITS AVAILABLE FROM BUDZAR INDUSTRIES



Air-Cooled Outdoor Packaged Water Chiller



Portable Chiller



Standard and Custom Temperature Control Modules



Stationary Hot Oil Unit



Mixer Temperature Control Unit



Tower Tank System