

MOLD TEMPERATURE CONTROLLER

Budzar's MTC (Mold Temperature Controller) Portable Hot Water System delivers full feature temperature control in the smallest cabinet on the market. The MTC, at 11" wide, 19" high and 24" long is perfect for any industry process: rubber, plastics, pharmaceutical, chemical, energy, steel, or food requiring a reliable temperature control unit with a small footprint.

The MTC brings unmatched reliability and power to your production process

The MTC eliminates pump failures by using industrial duty pumps with an EPDM Carbon/GI Silicar Seal rated up to 300°F. The standard 30PSI discharge pressure delivers a powerful, turbulent flow. All units may be upgraded to 50 PSI. A continuous automatic air vent prevents burn-out and insures optimum heat transfer through your process. The MTC is built to deliver maintenance-free operation.

The brains of the MTC are a non-proprietary, full function PID controller that comes with a full 5 year warranty. "Continuous Self-Tuning" allows you to set the controller once and then forget it. the controller continuously adjusts the operation of the MTC to optimize the productivity of your process. A bright dual display shows separate set point and process temperatures that are easy to read under any factory lighting.

Low-cost, simple operation and maintenance

- Two quick release side panels and a heavy-duty easy release clamp fitting provide complete maintenance access
- All components are arranged for easy access and service
- Separate process and set-point temperature display, return and supply pressure gauges and full lighted display provide complete diagnostics for the system

Budzar Industries also designs and manufactures specialized equipment for non-standard applications. Our engineers have extensive experience in process chilling and heating applications for such industries as: chemical, defense, energy, extraction, food, medical, pharmaceutical, plastics, rubber, tire, and semiconductor. We take the time to understand your current and future needs and design solutions targeting high quality and fast payback.



EXCELLENT RETURN ON INVESTMENT

- A non-proprietary "self-tuning" controller adjusts to your process to increase production rates, improve process consistency, reduce scrap and speed startup
- Exclusive use of quality equipment: I.E.C. electrical components, non-overloading ODP motor, industrial duty pump with a 300°F rated EPDM HT Carbon/GI Silicar Seal, and long life cooling valve, work together to provide many years of outstanding service from your investment
- Flow rates are available from 20 to 100 GPM @ 30 PSI for turbulent flow. All units may be upgraded to 50 PSI

QUICK AND EASY INSTALLATION

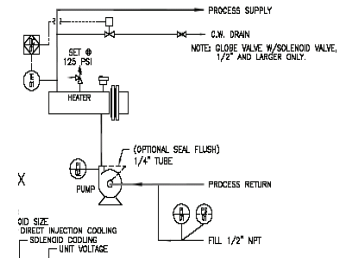
- The MTC size makes this unit easy to locate. At 11" wide, and 19" high by 24" long the MTC will fit anywhere

OPTIONS

- Stainless steel brazed plate exchanger provided for closed loop cooling

DIRECT INJECTION SOLENOID COOLING VALVE

Model	kW	Pump HP	Valve Size	Volt	AMPS	GPM	Head PSI
1WT-9-.75-.25-DS-460	9	0.75	0.25	460	13.06	15.0	30.0
1WT-9-1-.25-DS-460	9	1.00	0.25	460	13.56	22.0	30.0
1WT-9-1.5-.25-DS-460	9	1.50	0.25	460	14.46	35.0	30.0
1WT-9-2-.5-DS-460	9	2.00	0.50	460	14.86	50.0	30.0
1WT-9-3-.5-DS-460	9	3.00	0.50	460	16.26	90.0	30.0



DIRECT INJECTION MODULATING COOLING VALVE

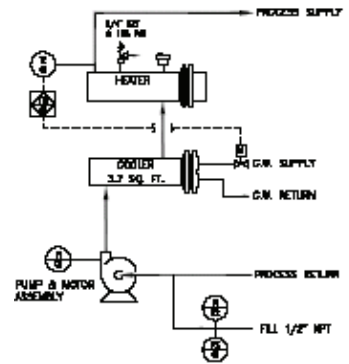
Model	kW	Pump HP	Valve Size	Volt	AMPS	GPM	Head PSI
1WT-9-.75-.25-DM-460	9	0.75	0.50	460	13.06	15.0	30.0
1WT-9-1-.25-DM-460	9	1.00	0.50	460	13.56	22.0	30.0
1WT-9-1.5-.25-DM-460	9	1.50	0.50	460	14.46	35.0	30.0
1WT-9-2-.5-DM-460	9	2.00	0.50	460	14.86	50.0	30.0
1WT-9-3-.5-DM-460	9	3.00	0.50	460	16.26	90.0	30.0

CLOSED-LOOP SOLENOID COOLING VALVE

Model	kW	Pump HP	Valve Size	Volt	AMPS	GPM	Head PSI
1WT-9-.75-.25-CS-460	9	0.75	0.50	460	13.06	15.0	30.0
1WT-9-1-.25-CS-460	9	1.00	0.50	460	13.56	22.0	30.0
1WT-9-1.5-.25-CS-460	9	1.50	0.50	460	14.46	35.0	30.0
1WT-9-2-.5-CS-460	9	2.00	0.50	460	14.86	50.0	30.0
1WT-9-3-.5-CS-460	9	3.00	0.50	460	16.26	90.0	30.0

CLOSED-LOOP SOLENOID COOLING VALVE

Model	kW	Pump HP	Valve Size	Volt	AMPS	GPM	Head PSI
1WT-9-.75-.25-CM-460	9	0.75	0.50	460	13.06	15.0	30.0
1WT-9-1-.25-CM-460	9	1.00	0.50	460	13.56	22.0	30.0
1WT-9-1.5-.25-CM-460	9	1.50	0.50	460	14.46	35.0	30.0
1WT-9-2-.5-CM-460	9	2.00	0.50	460	14.86	50.0	30.0
1WT-9-3-.5-CM-460	9	3.00	0.50	460	16.26	90.0	30.0



12 and 18 kw units available; 230/3/60 electrics available

UNITS AVAILABLE FROM BUDZAR INDUSTRIES



Air-Cooled Outdoor Packaged Water Chiller



Portable Chiller



Standard and Custom Temperature Control Modules



Stationary Hot Oil Unit



Mixer Temperature Control Unit



Tower Tank System