

# MOLD TEMPERATURE CONTROLLER

**Budzar's MTC (Mold Temperature Controller) Portable Hot Water System** delivers full feature temperature control in the smallest cabinet on the market. The MTC, at 11" wide, 19" high and 24" long is perfect for any industry process: rubber, plastics, pharmaceutical, chemical, energy, steel, or food requiring a reliable temperature control unit with a small footprint.

**The MTC brings unmatched reliability and power to your production process**

The MTC eliminates pump failures by using industrial duty pumps with an EPDM Carbon/GI Silicar Seal rated up to 300°F. The standard 30PSI discharge pressure delivers a powerful, turbulent flow. All units may be upgraded to 50 PSI. A continuous automatic air vent prevents burn-out and insures optimum heat transfer through your process. The MTC is built to deliver maintenance-free operation.

**The brains of the MTC are a non-proprietary, full function PID controller that comes with a full 5 year warranty.** "Continuous Self-Tuning" allows you to set the controller once and then forget it. the controller continuously adjusts the operation of the MTC to optimize the productivity of your process. A bright dual display shows separate set point and process temperatures that are easy to read under any factory lighting.

**Low-cost, simple operation and maintenance**

- Two quick release side panels and a heavy-duty easy release clamp fitting provide complete maintenance access
- All components are arranged for easy access and service
- Separate process and set-point temperature display, return and supply pressure gauges and full lighted display provide complete diagnostics for the system

Budzar Industries also designs and manufactures specialized equipment for non-standard applications. Our engineers have extensive experience in process chilling and heating applications for such industries as: chemical, defense, energy, extraction, food, medical, pharmaceutical, plastics, rubber, tire, and semiconductor. We take the time to understand your current and future needs and design solutions targeting high quality and fast payback.



**EXCELLENT RETURN ON INVESTMENT**

-A non-proprietary "self-tuning" controller adjusts to your process to increase production rates, improve process consistency, reduce scrap and speed startup

-Exclusive use of quality equipment: I.E.C. electrical components, non-overloading ODP motor, industrial duty pump with a 300°F rated EPDM HT Carbon/GI Silicar Seal, and long life cooling valve, work together to provide many years of outstanding service from your investment

-Flow rates are available from 20 to 100 GPM @ 30 PSI for turbulent flow. All units may be upgraded to 50 PSI

**QUICK AND EASY INSTALLATION**

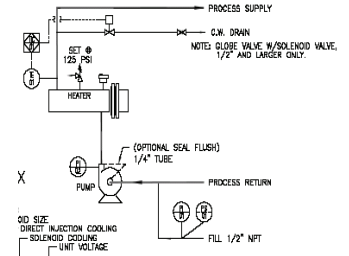
-The MTC size makes this unit easy to locate. At 11" wide, and 19" high by 24" long the MTC will fit anywhere

**OPTIONS**

-Stainless steel brazed plate exchanger provided for closed loop cooling

**DIRECT INJECTION SOLENOID COOLING VALVE**

Model	kW	Pump HP	Valve Size	Volt	AMPS	GPM	Head PSI
1WT-9-.75-.25-DS-460	9	0.75	0.25	460	13.06	15.0	30.0
1WT-9-1-.25-DS-460	9	1.00	0.25	460	13.56	22.0	30.0
1WT-9-1.5-.25-DS-460	9	1.50	0.25	460	14.46	35.0	30.0
1WT-9-2-.5-DS-460	9	2.00	0.50	460	14.86	50.0	30.0
1WT-9-3-.5-DS-460	9	3.00	0.50	460	16.26	90.0	30.0



**DIRECT INJECTION MODULATING COOLING VALVE**

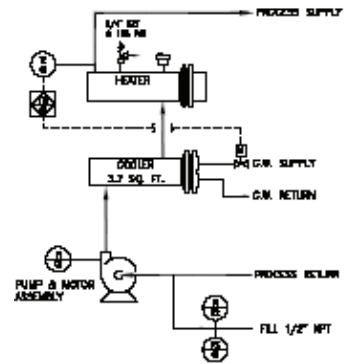
Model	kW	Pump HP	Valve Size	Volt	AMPS	GPM	Head PSI
1WT-9-.75-.25-DM-460	9	0.75	0.50	460	13.06	15.0	30.0
1WT-9-1-.25-DM-460	9	1.00	0.50	460	13.56	22.0	30.0
1WT-9-1.5-.25-DM-460	9	1.50	0.50	460	14.46	35.0	30.0
1WT-9-2-.5-DM-460	9	2.00	0.50	460	14.86	50.0	30.0
1WT-9-3-.5-DM-460	9	3.00	0.50	460	16.26	90.0	30.0

**CLOSED-LOOP SOLENOID COOLING VALVE**

Model	kW	Pump HP	Valve Size	Volt	AMPS	GPM	Head PSI
1WT-9-.75-.25-CS-460	9	0.75	0.25	460	13.06	15.0	30.0
1WT-9-1-.25-CS-460	9	1.00	0.25	460	13.56	22.0	30.0
1WT-9-1.5-.25-CS-460	9	1.50	0.25	460	14.46	35.0	30.0
1WT-9-2-.5-CS-460	9	2.00	0.50	460	14.86	50.0	30.0
1WT-9-3-.5-CS-460	9	3.00	0.50	460	16.26	90.0	30.0

**CLOSED-LOOP SOLENOID COOLING VALVE**

Model	kW	Pump HP	Valve Size	Volt	AMPS	GPM	Head PSI
1WT-9-.75-.25-CM-460	9	0.75	0.25	460	13.06	15.0	30.0
1WT-9-1-.25-CM-460	9	1.00	0.25	460	13.56	22.0	30.0
1WT-9-1.5-.25-CM-460	9	1.50	0.25	460	14.46	35.0	30.0
1WT-9-2-.5-CM-460	9	2.00	0.50	460	14.86	50.0	30.0
1WT-9-3-.5-CM-460	9	3.00	0.50	460	16.26	90.0	30.0



12 and 18 kw units available; 230/3/60 electrics available

**UNITS AVAILABLE FROM BUDZAR INDUSTRIES**



Air-Cooled Outdoor Packaged Water Chiller



Portable Chiller



Standard and Custom Temperature Control Modules



Stationary Hot Oil Unit



Mixer Temperature Control Unit



Tower Tank System